



SOLIS

Design by Dirk Wynants



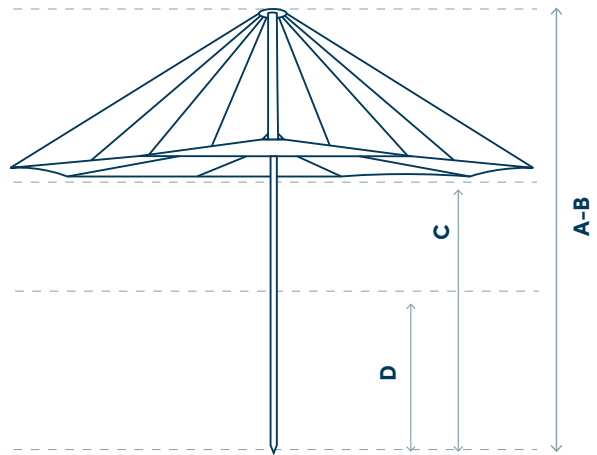
CREATING PARASOLS FOR PROFESSIONALS

SOLIS

Technical details

Design by Dirk Wynants, 2002-2005,
all rights reserved

Internationally protected by intellectual
property Worldwide exclusively co-licensed
by Extremis and Symo



PARASOL		Ø 400 cm	400x400 cm	Ø 560 cm
Shape				
Dimensions	A - Height closed	348 cm	348 cm	357 cm
	B - Height open	348 cm	348 cm	357 cm
	C - Free height open	220 cm	220 cm	220 cm
	D - Free height closed	120 cm	37 cm	46 cm
	Weight	51 kg	58 kg	63,5 kg
	Packaging size	380 x 36 x 30 cm	380 x 36 x 30 cm	380 x 36 x 30 cm
	Shade area (m ²)	± 12,56 m ²	± 16 m ²	± 24,62 m ²
	Fabric	Fabric	Airtex	
Fabric colours				
Frame	Pole	Ø 80 mm		
	Material	Aluminium Powder Coated 4 mm White RAL 9010 (other RAL colours on request)		
	Handle	Crank system		
	Ribs	8 x stainless steel 30 x 20 x 2 mm		
	Top cables	Stainless steel Ø 2,5 mm		
Protective cover	Polyester Ripstop® - grey			
Wind Resistance	6 Bft (49 km/h - 31 mph)			

BASES

TILE BASE LUXURY 140 kg
 - 89 x 89 x 12,5 cm
 - 8 tiles 40 x 40 cm
 - 3 separate anti rust treatments
 Base options 1-2-3-4-5



GROUND PLATE LUXURY 17 kg
 - 40 x 40 x 1 cm
 - 3 separate anti rust treatments
 - Must be screwed to the ground
 Base options 2-4-5



TILE BASE LUXURY 200 kg
 - 89 x 89 x 17,5 cm
 - 12 tiles 40 x 40 cm
 - 3 separate anti rust treatments
 Base options 1-2-3-4-5

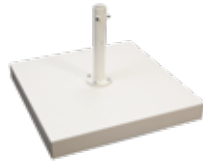


INGROUND SLEEVE LUXURY
 - 3 separate anti rust treatments
 - Must be concreted into the ground
 Base options 2-4-5



BASE OPTIONS

1 - COVER PLATE FOR TILE BASE 140/200 kg
 - 90.4 x 90.4 x 10.9 / 14.9 cm
 - 18 kg, 2mm steel



4 - ANY RAL COLOUR



2 - ANTI-THEFT SCREW AND KEY



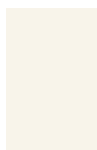
5 - TILTING DEVICE



3 - 4 CASTORS FOR TILE BASE
 With brakes



AIRTEX COLOURS



9577
White



9801
Grey

